

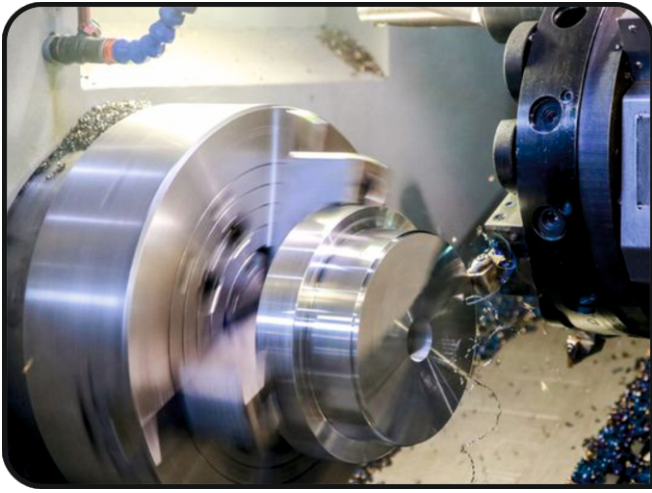


Fortune

*Bringing Innovation to
Plastic Applications*



- ❖ High Quality
- ❖ Accurate Positioning
- ❖ Quality Brands
- ❖ Professional Talent
- ❖ Fine Management

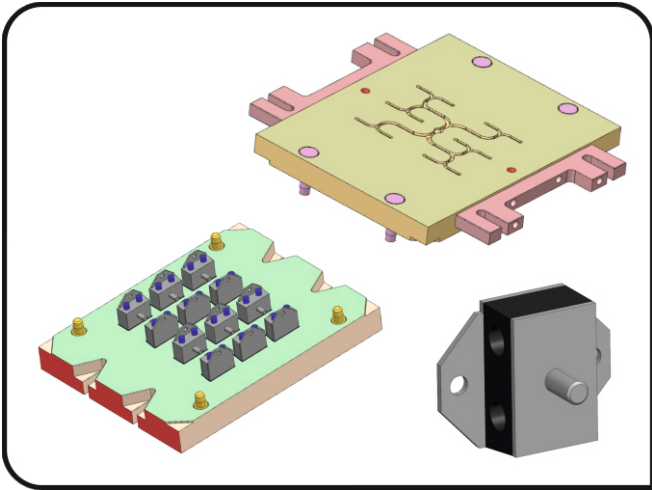
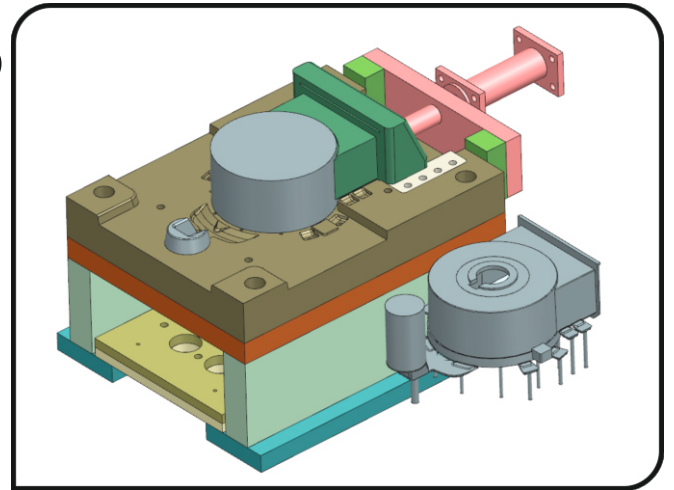


ENGINEERING

- ❖ 3D-Cad / Cam Systems
- ❖ 3D Printing Facility
- ❖ Simulations & Finite Element Calculations
- ❖ CNC Lathes

PRESSURE DIE CAST MOULD

- ❖ Precision die casting service for customised metal parts and products with fast turnaround times.



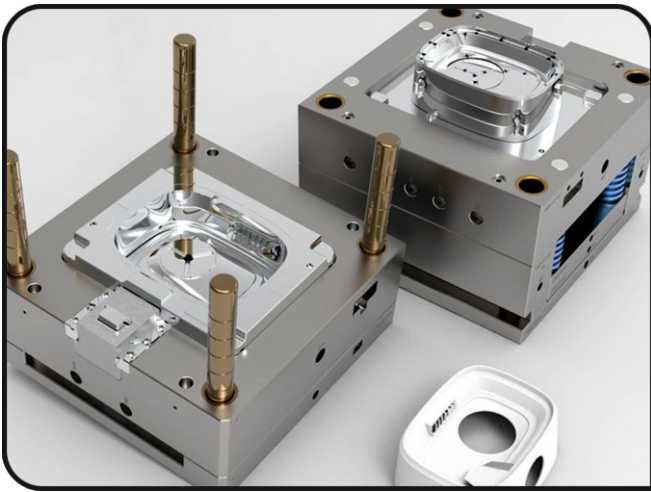
RUBBER MOULD

- ❖ Rubber molding is the process of transforming uncured rubber or an elastomer into a usable product by transferring, compressing, or injecting raw rubber material into a metal mold cavity.

CONTAINER MOULD

- ❖ We are one of the best multipurpose plastic storage container mould manufacturer.
- ❖ Plastic Crates, Bin, Box Mould



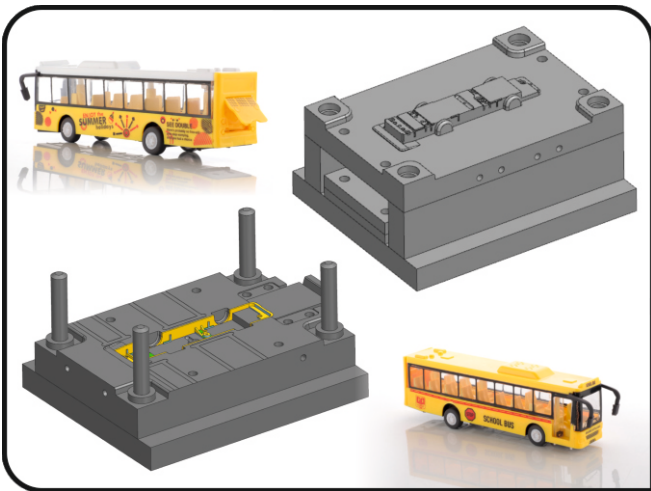
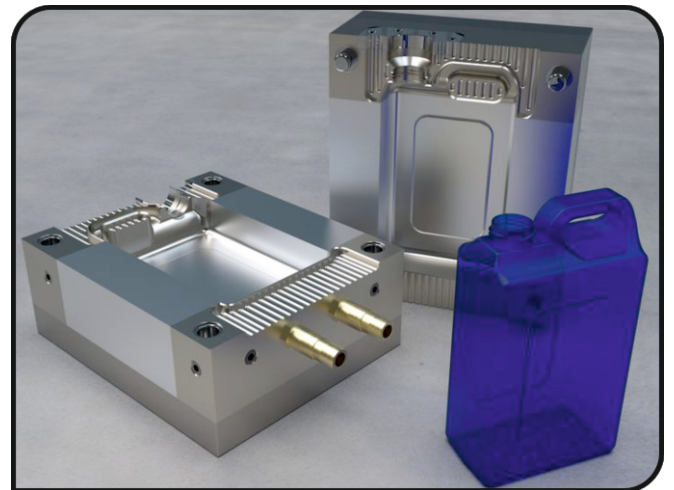


INJECTION MOULD

- ❖ Two Plate & Three Plate Moulds
- ❖ Unscrewing Moulds
- ❖ Over Moulding Moulds
- ❖ Multi Cavity Moulds
- ❖ Insert Moulds

BLOW MOULD

- ❖ Semi Automatic - Fully Automatic Mould
- ❖ PET Blow Mould
- ❖ Blow molding is the forming of a hollow object by inflating or blowing a thermoplastic molten tube in the shape of a mold cavity.



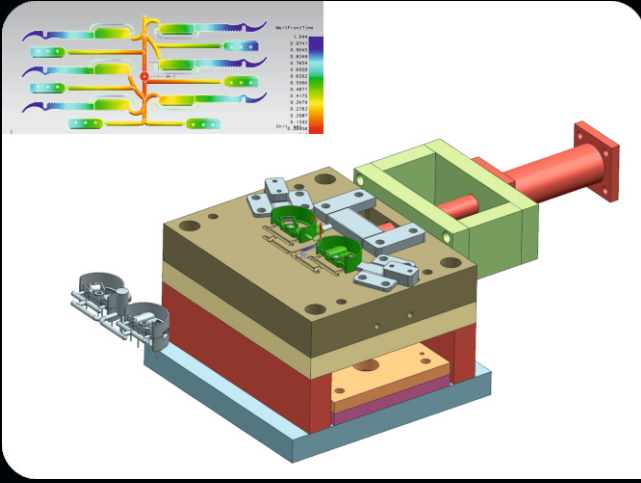
TOY MOULD

- ❖ We Deal in Precision Toy Mould
- ❖ Magnetic Sticks Toy Mould
- ❖ We Make Creative Toy Like Bus, Car, Jeep Etc.

INJECTION MOULD

- ❖ Precision Gear Moulds & Moulds For Complicated Products
- ❖ Injection Moulds For Pipe Fitting & Drain



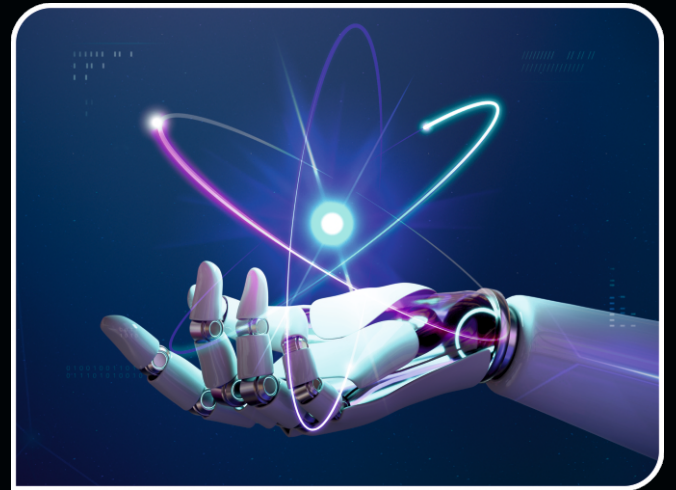


DESIGN & TECHNOLOGY

- ❖ Technology Is The Key Of Manufacturer To Be Succeed.
- ❖ Our Best Try To Help & Satisfy by Best Design For Our Customers.

SYNERGY & INNOVATION

- ❖ Innovation can change concepts, the environment, life and world.
- ❖ only organizations or individuals with synergy spirit can create a successful career.



**CUSTOMER'S CONCERN
IS OUR CONCERN,
CUSTOMER'S URGENT
IS OUR URGENT.**

 **Pratik Patoliya**

 +91 81404 40481

 fortuneditesrajkot@gmail.com

 www.mayox.co

 Opp. Gopal Hotel Vavdi, Rajkot.

